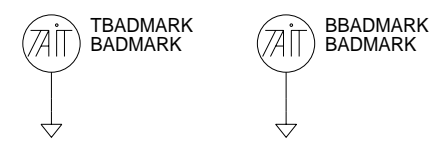
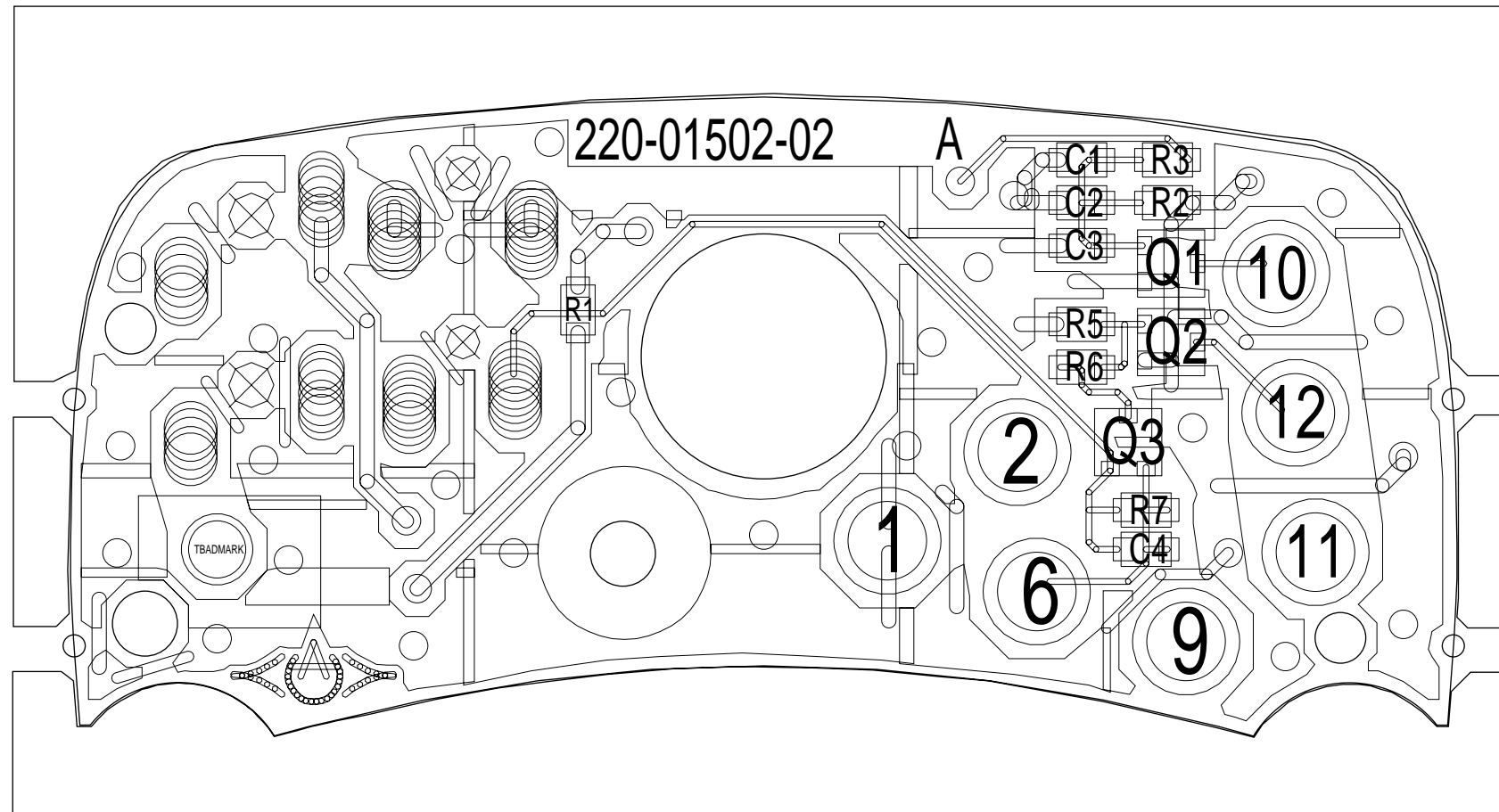


REV/ISS	AMENDMENTS	DRAWN	CHKD	D.O.	APVD	DATE
3A	MADE BREAKOUTS MORE EFFECTIVE	ADAM-D				31/10/97
2A	CHANGED SOCKETS ROUND	ADAM-D				11-09-97
A		SD				20-08-97

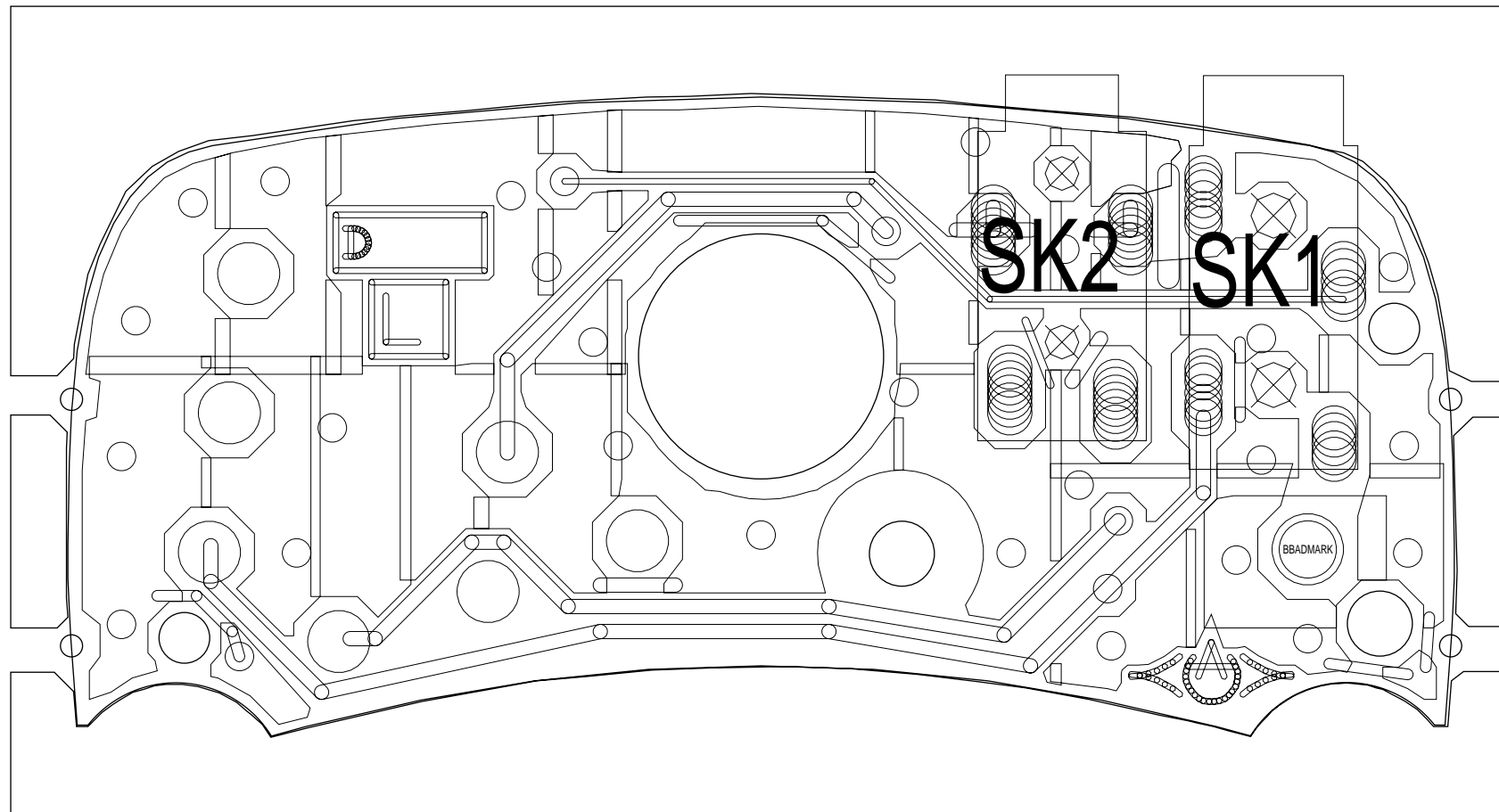


© TAIT ELECTRONICS					
ORCA AUXILIARY CONNECTOR PCB MOTOROLA					
IPN: 220-01502-03		ISSUE: 3A		ID: 2.SC. 1	
PROJECT: ORCA	DESIGNER: ADAM-D	FILE NAME: 150203A	FILE DATE: 31/10/97	NO. SHEETS: 1	



TAIT ELECTRONICS	IPN: 220-01502-02	ISS: 1	ID: 1.TA	DATE: 15 Sep 1997
MOTAUXCON PCB LAYOUT - TOP SIDE				

Scale: 8:1 ; Rotation: 0 degrees



TAIT ELECTRONICS	IPN: 220-01502-02	ISS: 1	ID: 2.BA	DATE: 15 Sep 1997
MOTAUXCON PCB LAYOUT - BOTTOM SIDE				

Scale: 8:1 ; Rotation: 0 degrees